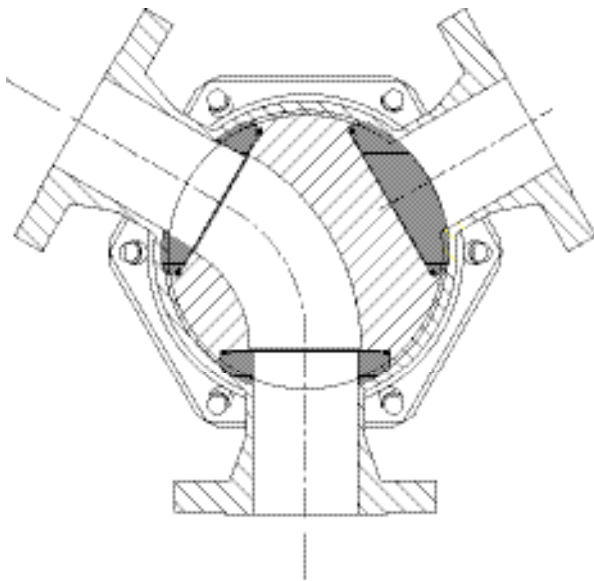


3-WAY PIGGING VALVES

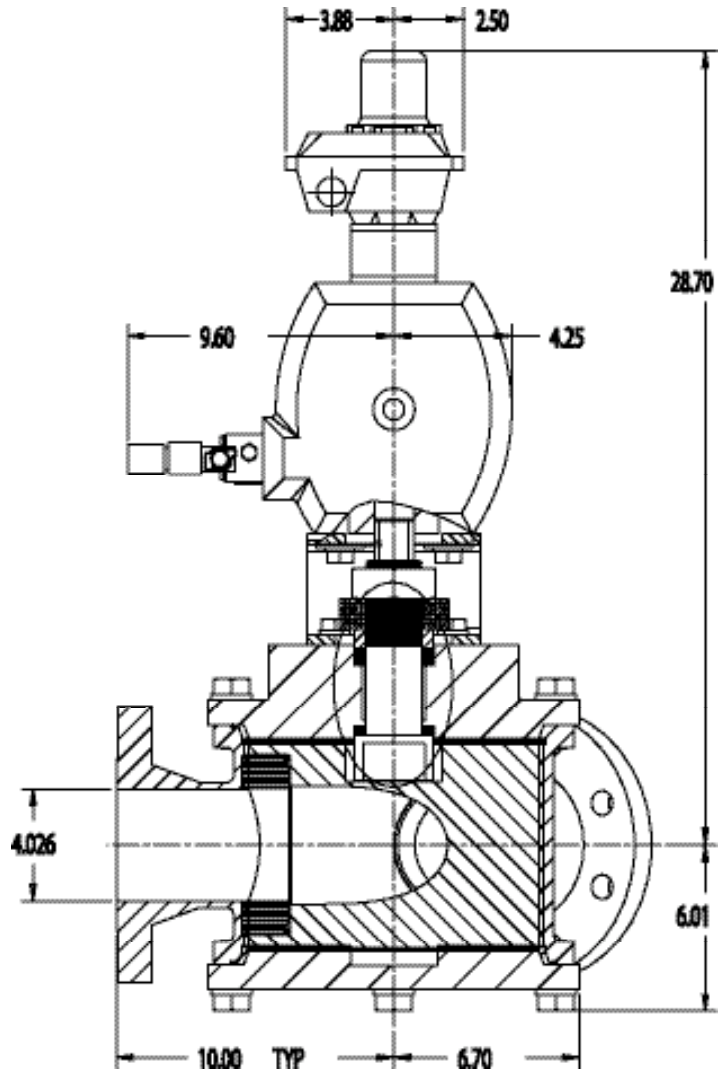


- True-bore® port diameter is same as mating pipe or tube.
- Cavity-Free design eliminates pockets, voids, or puddles in the valve.
- Available in sizes 1/2" through 4"
- Standard turn radius of 1.5 D can be modified as necessary for specific pig designs
- 120-degree 3-way "Y" port permits easy passage of line pigs.
- O-ring energized seats ensure leak-free operation
- Available with manual handle, gear operator, pneumatic, or electric automation.
- Standard material of construction is 316/316L stainless steel.
- Multiple end connections available, including flanged, sanitary clamp, camlock, female NPT, and weld.
- Each valve is custom engineered to meet specific design and application requirements.

PIGGING VALVES



Dedicated lines for multiple products can be minimized using 3-way piggable valves. PBM's 3-way piggable cavity free valves can reduce the number of launchers and receivers required in a piping system. The smooth 120-degree turn through the PBM 3-way piggable valves permits easy diverting of a line pig used to clean the pipe or tubing lines.



Visit PBM online at
www.pbmvalve.com
 to find the PBM domestic or international representative near you.

United States • Canada • United Kingdom • Mexico • South America • Europe • Australia • Taiwan



PBM, Inc. • 1070 Sandy Hill Road, Irwin, PA 15642
 Phone: 800.967.4PBM • 724.863.0550 • Fax: 724.864.9255
 E-mail: info@pbmvalve.com • Web: www.pbmvalve.com



LT-26 2/04